

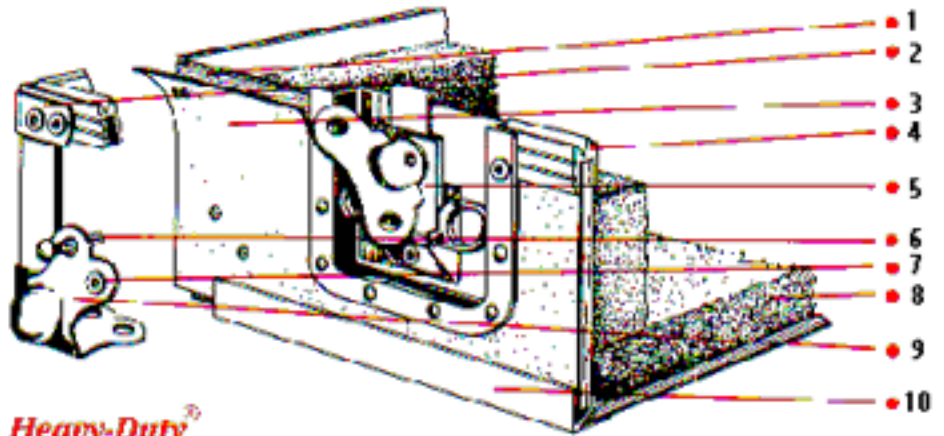
Custom Shipping Cases

New World Case Inc. 10 River Road, Suite 102, Uxbridge, MA 01569 888.883.0107

Heavy Duty Case Specifications

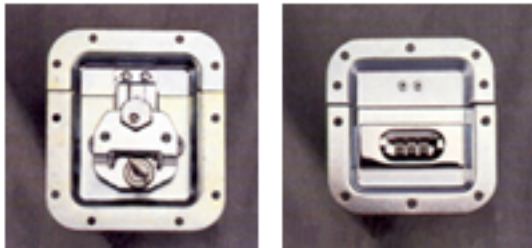
Heavy duty cases are constructed of only the finest, most durable materials, including polyester & polyethylene foam, our own dustproof aluminum valance, continuous piano hinge, nickel-plated steel corners, latches & handles, and the very finest industrial-grade adhesives.

Heavy duty cases are ATA style and are designed to protect items that must be shipped under the most severe conditions. Heavy duty cases provide maximum protection.



Heavy-Duty[®]

1. 1/4" plywood sidewall
2. Nickel-plated steel valance reinforcement
3. .040 ABS outer surface
4. Dustproof, extruded aluminum interlocking valance
5. Recessed, spring-loaded, twist-lock latch
6. Nickel-plated steel split rivets
7. Stainless steel blind rivets
8. Shock-absorbing polyester and/or polyethylene foam interior
9. Stamped, 14 gauge nickel-plated steel corner protection
10. .060 extruded aluminum double-channel edge protection



Fabric lined and foam filled carrying cases



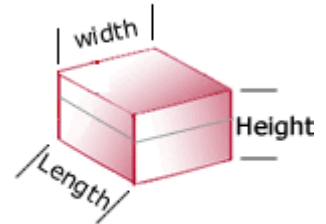
CUSTOMIZED QUOTE FORM

Please fill out as much information as possible

It is **VERY IMPORTANT** that you answer the following four questions. Without this information it is very difficult for us to help you determine what you need and impossible to determine the cost.

If you need help determining this information, please call us at (888) 883-0107
Fax number (508)278-5432

Quick guide to measure



Length = left to right
Width = back to front
Height = bottom to top

What type of equipment do you need cases for?

What are the dimensions of each piece of equipment? (Separate by commas)

How much does each piece weigh?

Will the case be shipped or carried?

Is there a specific time frame that these are needed by?

If anything else needs to go in the same case, please make sure the information above is about all pieces to go in the case.

Approximately how many cases do you need?

Additional comments?

Your contact information

* = Required

*Name

Company

Address 1

Address 2

City

State

Zip

* Telephone #

Fax #

* E-mail Address

You can also print this form and fax it to (508) 278-5432.

You can call us at (888) 883-0107 or (508) 278-5526.

You can e-mail us at sales@customshippingcases.com.