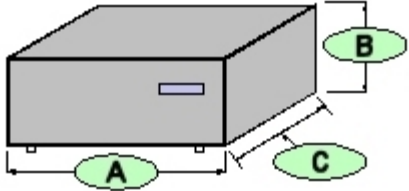
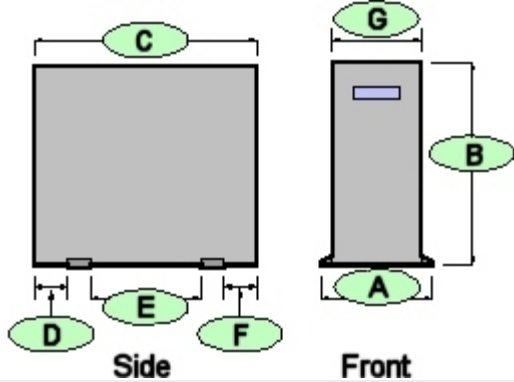
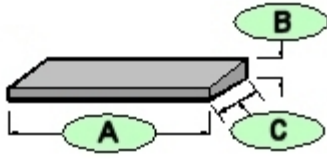
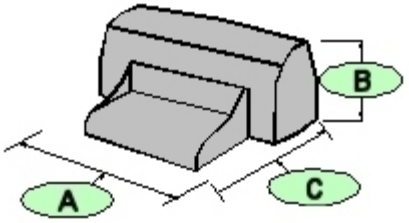
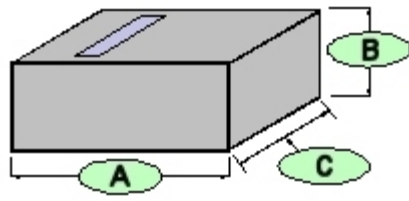


Manufacturer: Model: Quantity of monitors to ship:

C P U	What type of CPU do you have?	
	Desktop	Tower
		
	required: (A): (B): (C):	
	optional: (D): (E): (F): (G):	
Manufacturer: Model: Quantity of CPU's to ship:		

K E Y B O A R D	
	required: (A): (B): (C):
	Quantity of keyboards to ship?

P R I N T E R	What type of printer do you have?	
	Inkjet	Laser
		
	required: (A): (B): (C):	
	Manufacturer: Model: Quantity of printers to ship:	



General case questions.

Do you need space for miscellaneous items (power cords, etc.)? Yes No

Do you want wheels on this case? Yes No

Do you want a lock on this case? Yes No

Type your comments or special requirements below. Include whether you want to divide your equipment into 1 or more cases, if you have any other items to put into the case besides cables or small power supplies (and their dims), and the quantity of cases you need if you need more than (1) of each case. The more you can tell us about how you are going to use the case, the better we can advise you.

Contact information.

* required

* Your Name:

Company:

Address 1:

Address 2:

City:

State:

Zip:

* Phone#:

FAX#:

* email: